

# Bosch 4000S Internal

The Bosch 4000S is a room-sealed continuous flow water heater, with fluing flexibility that allows installation close to the point of use.

## The Bosch 4000S Internal offers:

- ▶ Room sealed appliance
- ▶ Inbuilt temperature controller
- ▶ Electronically controlled
- ▶ 50°C locked models available
- ▶ 6 Star efficiency



Please contact Bosch on 1300 30 70 37 or visit [www.bosch-climate.com.au](http://www.bosch-climate.com.au) for more information.



**BOSCH**

Hot Water & Heating

# Bosch 4000S Internal

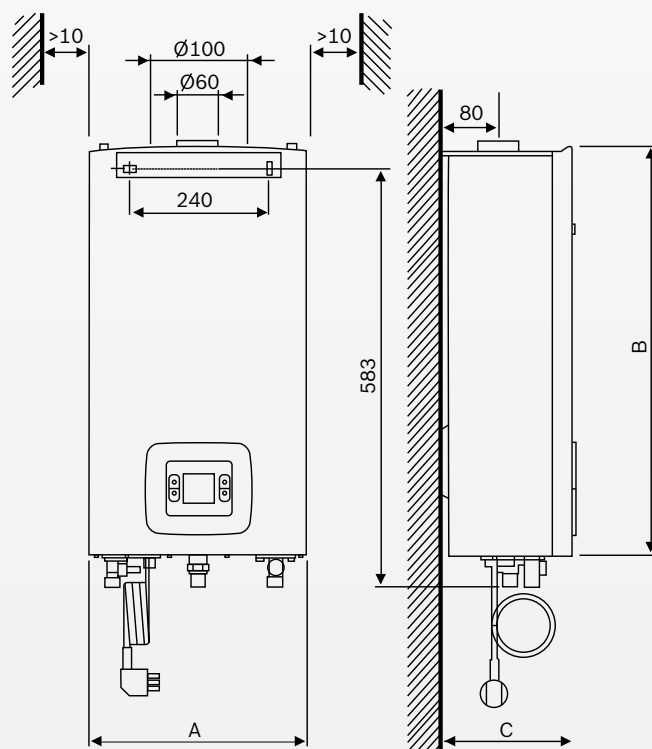


- ▶ Room sealed appliance
- ▶ Inbuilt controller
- ▶ 6 star efficiency

Technical Features	Units	12L	16L	20L
<b>Performance</b>				
Maximum gas consumption	MJ	90.0	120.2	149.0
Minimum gas consumption	MJ	11.9	18.0	18.0
Efficiency at 100% of nominal load	%	82.4	82.4	82.4
<b>Data relating to gas – Permissible gas supply pressure</b>				
Natural gas	kPa	1.13	1.13	1.13
LP gas	kPa	2.75	2.75	2.75
<b>Data relating to the water</b>				
Maximum admissible pressure	kPa	1000	1000	1000
Minimum operating pressure	kPa	100	100	100
Start up flow @ 15°C inlet water temperature	l/min	2.0	2.0	2.0
Maximum flow, corresponding to a temperature increase of 25°C	l/min	12.0	16.0	20.0
Maximum inlet temperature	°C	80	80	80
Temperature locked model available (adjustable to deliver 50°C at tap)		Yes	Yes	Yes
<b>Electrical circuit</b>				
Power supply voltage	V	230	230	230
Maximum power consumption	W	100	100	100
<b>Flue data</b>				
Required flue type		Bosch Co-axial flue must be used		
Maximum Horizontal Flue Length	m	10	10	6
Maximum Vertical Flue Length	m	12	12	8
<b>Warranty Details (Domestic)</b>				
Parts and Labour	Years	3	3	3
Heat Exchanger only	Years	10	10	10

Measurements (mm)	A	B	C
12L model	300	568	170
16L model	364	568	175
20L model	364	568	175

Connections			
Water		Gas	
Cold	Hot	Nat.	GLP
1/2" (15mm)	1/2" (15mm)	1/2" (15mm)	1/2" (15mm)



## Description

4000S Internal 12L NG
4000S Internal 12L LPG
4000S Internal 12L 50°C locked NG
4000S Internal 12L 50°C locked LPG
4000S Internal 16L NG
4000S Internal 16L LPG
4000S Internal 16L 50°C locked NG
4000S Internal 16L 50°C locked LPG
4000S Internal 20L NG
4000S Internal 20L LPG
4000S Internal 20L 50°C locked NG
4000S Internal 20L 50°C locked LPG

## Bosch Part Number

7736502487
7736502488
7736502489
7736502490
7736502495
7736502496
7736502497
7736502498
7736502499
7736502500
7736502501
7736502502

Please contact Bosch on 1300 30 70 37 or visit [www.bosch-climate.com.au](http://www.bosch-climate.com.au) for more information.



**BOSCH**  
Hot Water & Heating